

FEATURES

- Double Side Cooling
- High Surge Capability
- Low Recovery Charge

APPLICATIONS

- Induction Heating
- A.C. Motor Drives
- Inverters And Choppers
- Welding
- High Frequency Rectification
- UPS

VOLTAGE RATINGS

Type Number	Repetitive Peak Reverse Voltage V_{RRM} V	Conditions
DF451 16	1600	$V_{RSM} = V_{RRM} + 100V$
DF451 14	1400	
DF451 12	1200	
DF451 10	1000	
DF451 08	800	
DF451 06	600	

KEY PARAMETERS

V_{RRM}	1600V
$I_{F(AV)}$	295A
I_{FSM}	3500A
Q_r	25 μ C
t_{rr}	1.22 μ s

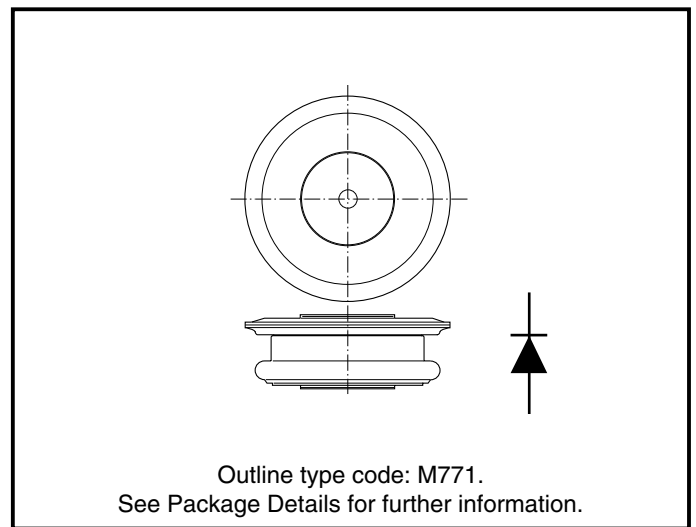


Fig. 1 Package outline

ORDERING INFORMATION

When ordering, select the required part number shown in the Voltage Ratings selection table, e.g.:

DF451 12

Note: Please use the complete part number when ordering and quote this number in any future correspondence relating to your order.

CURRENT RATINGS

Symbol	Parameter	Conditions	Max.	Units
Double Side Cooled				
$I_{F(AV)}$	Mean forward current	Half wave resistive load, $T_{case} = 65^{\circ}C$	295	A
$I_{F(RMS)}$	RMS value	$T_{case} = 65^{\circ}C$	543	A
I_F	Continuous (direct) forward current	$T_{case} = 65^{\circ}C$	391	A
Single Side Cooled (Anode side)				
$I_{F(AV)}$	Mean forward current	Half wave resistive load, $T_{case} = 65^{\circ}C$	220	A
$I_{F(RMS)}$	RMS value	$T_{case} = 65^{\circ}C$	348	A
I_F	Continuous (direct) forward current	$T_{case} = 65^{\circ}C$	285	A

SURGE RATINGS

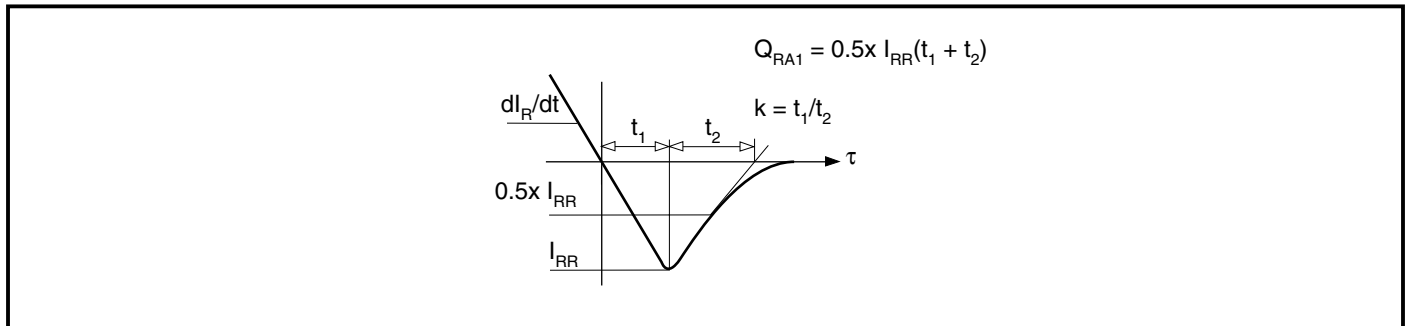
Symbol	Parameter	Conditions	Max.	Units
I_{FSM}	Surge (non-repetitive) forward current	10ms half sine; with 0% V_{RRM} , $T_j = 150^{\circ}C$	3.5	kA
I^2t	I^2t for fusing		61.25×10^3	A^2s
I_{FSM}	Surge (non-repetitive) forward current	10ms half sine; with 50% V_{RRM} , $T_j = 150^{\circ}C$	2.8	kA
I^2t	I^2t for fusing		39.2×10^3	A^2s

THERMAL AND MECHANICAL DATA

Symbol	Parameter	Conditions	-	Max.	Units	
$R_{th(j-c)}$	Thermal resistance - junction to case	Double side cooled	dc	-	0.07	$^{\circ}C/W$
		Single side cooled	Anode dc	-	0.133	$^{\circ}C/W$
			Cathode dc	-	0.147	$^{\circ}C/W$
$R_{th(c-h)}$	Thermal resistance - case to heatsink	Clamping force 5.0kN with mounting compound	Double side	-	0.02	$^{\circ}C/W$
			Single side	-	0.02	$^{\circ}C/W$
T_{vj}	Virtual junction temperature	Forward (conducting)	-	150	$^{\circ}C$	
T_{stg}	Storage temperature range		-55	150	$^{\circ}C$	
-	Clamping force		4.5	5.5	kN	

CHARACTERISTICS

Symbol	Parameter	Conditions	Typ.	Max.	Units
V_{FM}	Forward voltage	At 600A peak, $T_{case} = 25^{\circ}C$	-	2.65	V
I_{RRM}	Peak reverse current	At V_{RRM} , $T_{case} = 125^{\circ}C$	-	100	mA
t_{rr}	Reverse recovery time	$I_F = 500A$, $di_{RR}/dt = -80A/\mu s$ $T_{case} = 125^{\circ}C$, $V_R = 100V$	1.22	-	μs
Q_{RA1}	Recovered charge (50% chord)		-	25	μC
I_{RM}	Reverse recovery current		-	40	A
K	Soft factor		1.7	-	-
V_{TO}	Threshold voltage	At $T_{vj} = 125^{\circ}C$	-	1.6	V
r_T	Slope resistance	At $T_{vj} = 125^{\circ}C$	-	1.5	$m\Omega$
V_{FRM}	Forward recovery voltage	$di/dt = 1000A/\mu s$, $T_j = 125^{\circ}C$	-	40	V

DEFINITION OF K FACTOR AND Q_{RA1}


CURVES

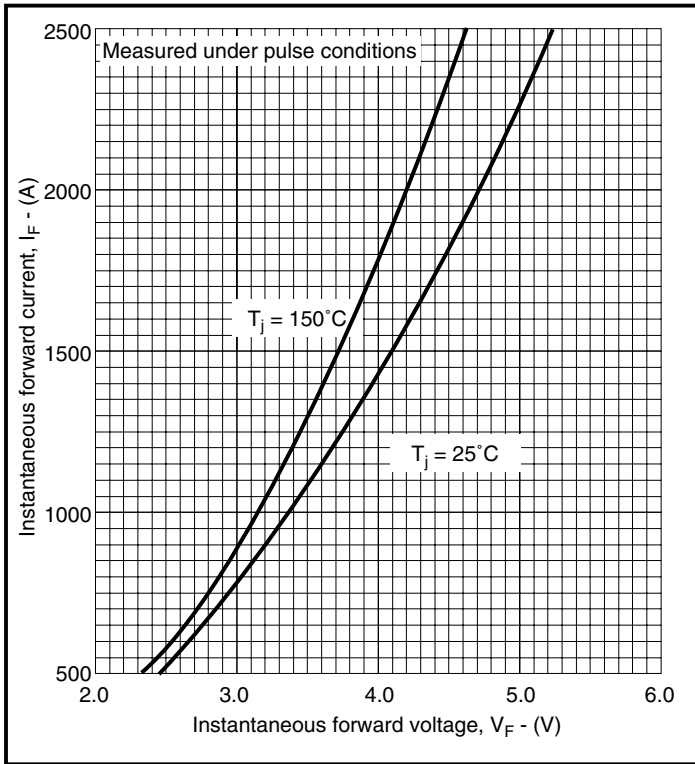


Fig.2 Maximum (limit) forward characteristics

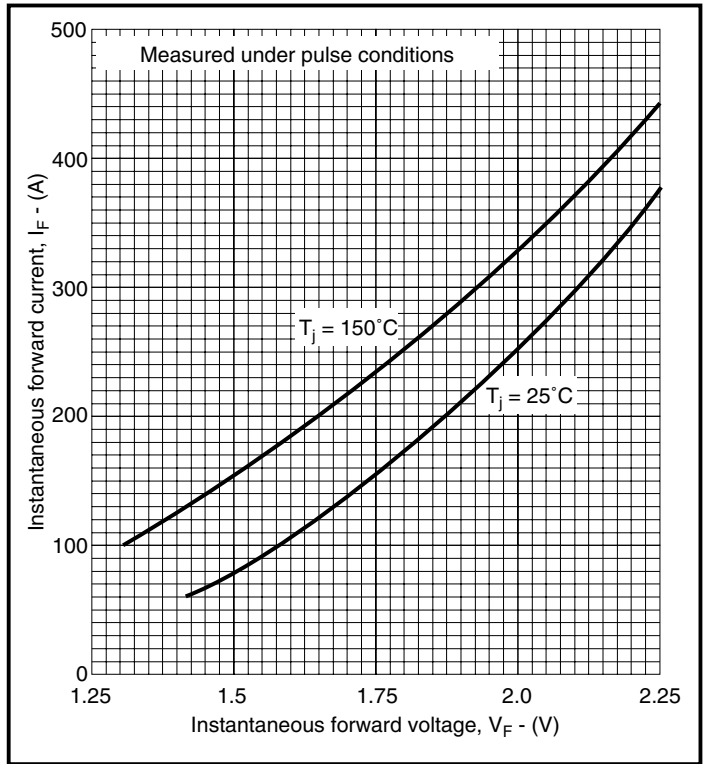


Fig.3 Maximum (limit) forward characteristics

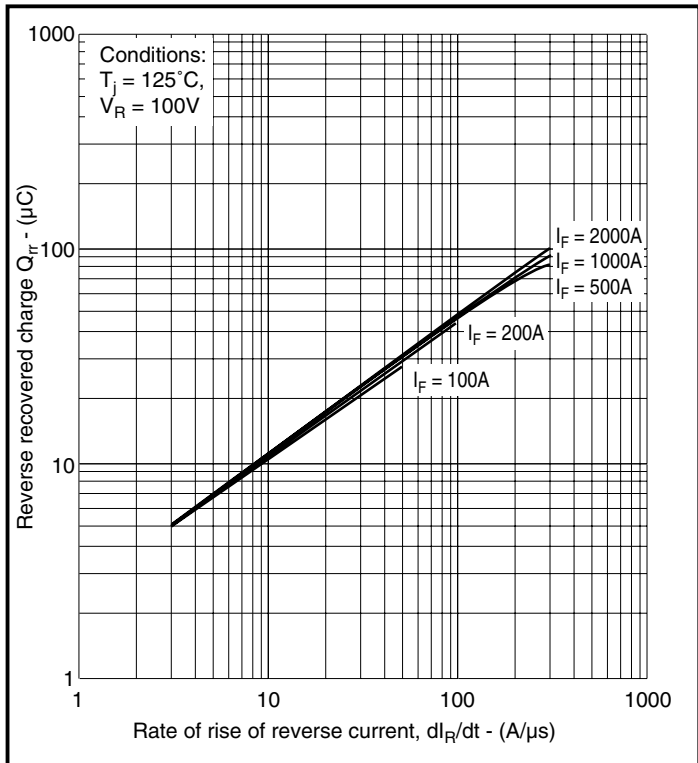


Fig.4 Recovered charge

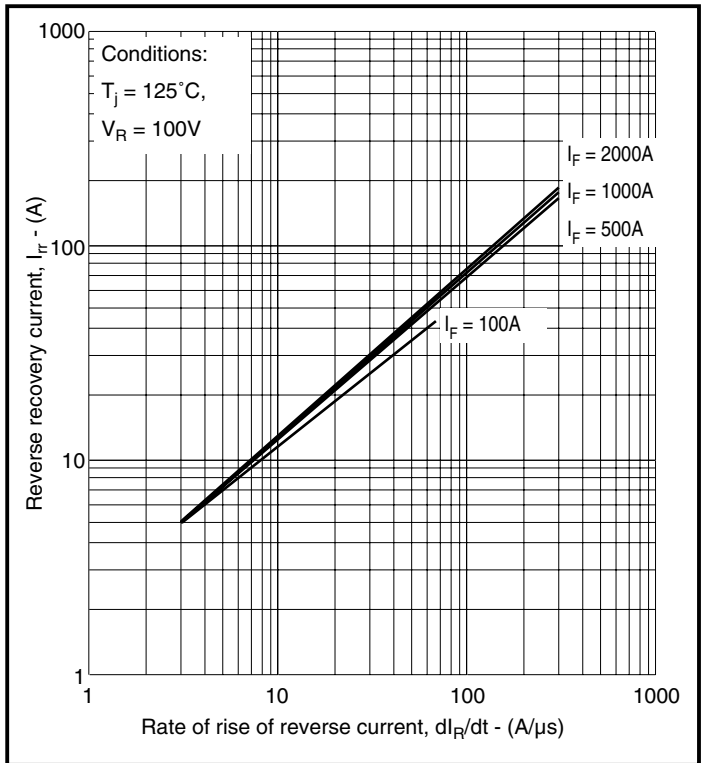


Fig.5 Typical reverse recovery current vs rate of rise of forward current

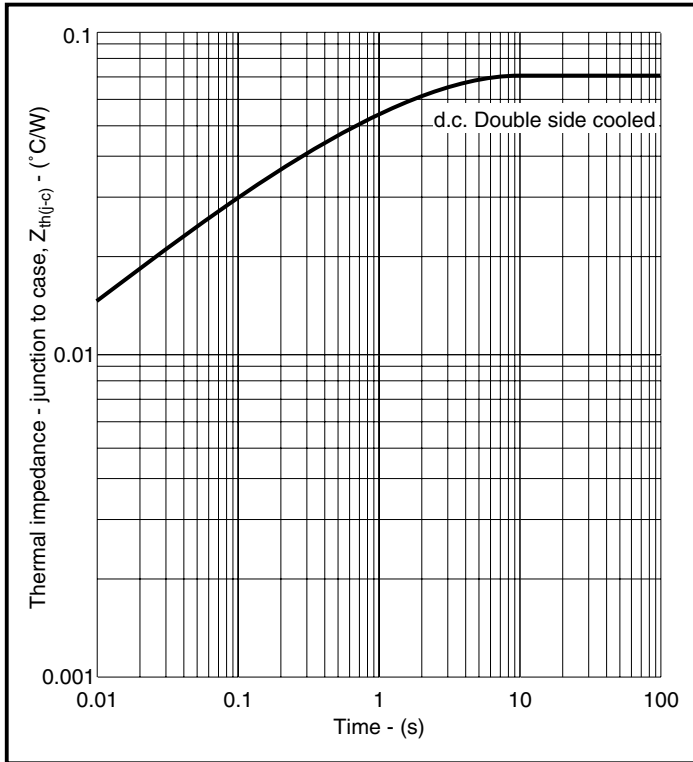
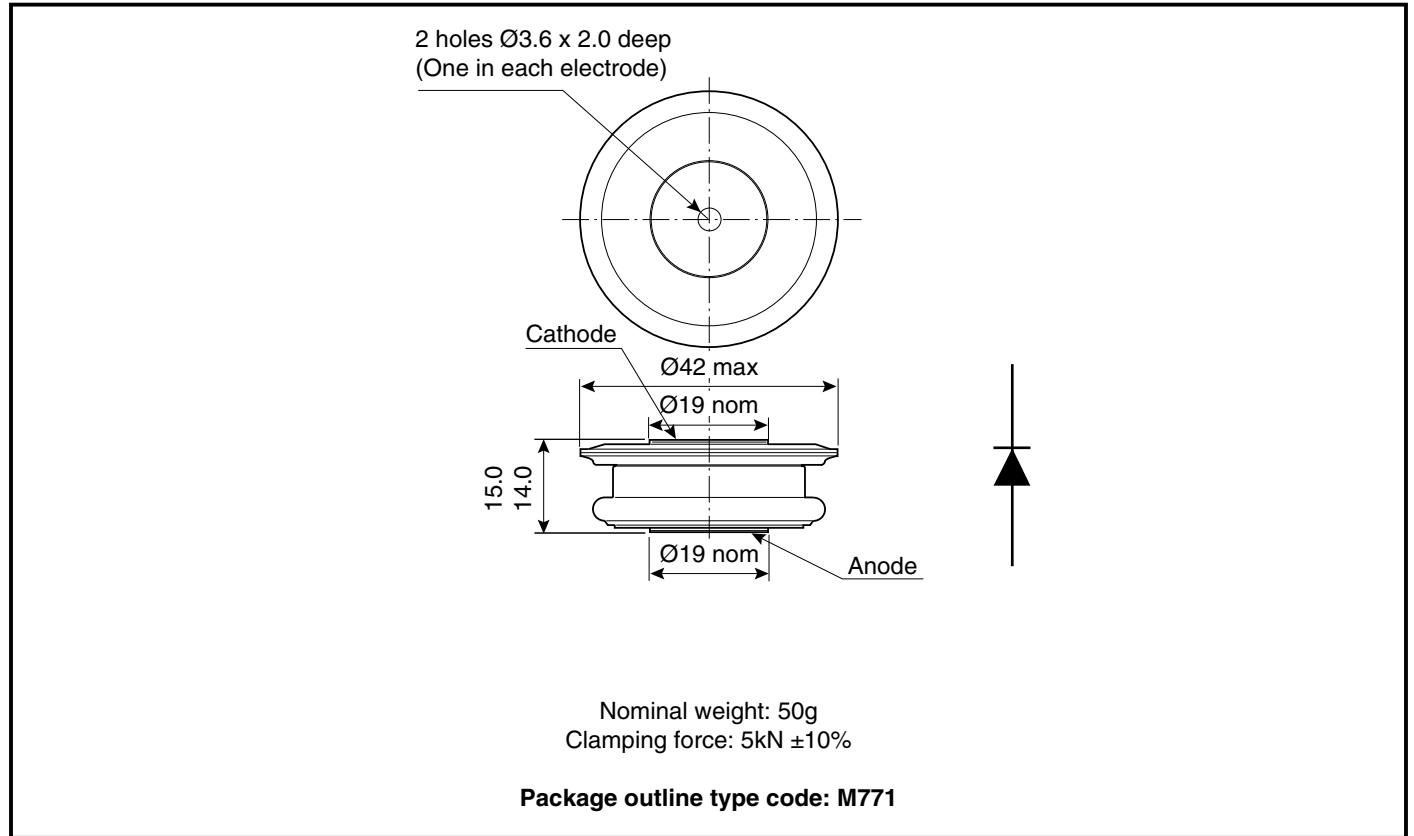


Fig.6 Maximum (limit) transient thermal impedance - junction to case - (°C/W)

PACKAGE DETAILS

For further package information, please contact Customer Services. All dimensions in mm, unless stated otherwise.
DO NOT SCALE.



POWER ASSEMBLY CAPABILITY

The Power Assembly group was set up to provide a support service for those customers requiring more than the basic semiconductor, and has developed a flexible range of heatsink and clamping systems in line with advances in device voltages and current capability of our semiconductors.

We offer an extensive range of air and liquid cooled assemblies covering the full range of circuit designs in general use today. The Assembly group offers high quality engineering support dedicated to designing new units to satisfy the growing needs of our customers.

Using the latest CAD methods our team of design and applications engineers aim to provide the Power Assembly Complete Solution (PACs).

HEATSINKS

The Power Assembly group has its own proprietary range of extruded aluminium heatsinks which have been designed to optimise the performance of Dynex semiconductors. Data with respect to air natural, forced air and liquid cooling (with flow rates) is available on request.

For further information on device clamps, heatsinks and assemblies, please contact your nearest sales representative or Customer Services.

Stresses above those listed in this data sheet may cause permanent damage to the device. In extreme conditions, as with all semiconductors, this may include potentially hazardous rupture of the package. Appropriate safety precautions should always be followed.



<http://www.dynexsemi.com>

e-mail: power_solutions@dynexsemi.com

HEADQUARTERS OPERATIONS

DYNEX SEMICONDUCTOR LTD

Doddington Road, Lincoln.
Lincolnshire. LN6 3LF. United Kingdom.
Tel: +44-(0)1522-500500
Fax: +44-(0)1522-500550

CUSTOMER SERVICE

Tel: +44 (0)1522 502753 / 502901. Fax: +44 (0)1522 500020

SALES OFFICES

Benelux, Italy & Switzerland: Tel: +33 (0)1 60 69 32 36. Fax: +33 (0)1 60 69 31 97.

France: Tel: +33 (0)2 47 55 75 53. Fax: +33 (0)2 47 55 75 59. Tel: +33 (0)1 60 69 32 36. Fax: +33 (0)1 60 69 31 97

Germany, Northern Europe, Spain & Rest Of World: Tel: +44 (0)1522 502753 / 502901.

Fax: +44 (0)1522 500020

North America: Tel: (440) 259-2060. Fax: (440) 259-2059. Tel: (949) 733-3005. Fax: (949) 733-2986.

These offices are supported by Representatives and Distributors in many countries world-wide.

© Dynex Semiconductor 2003 TECHNICAL DOCUMENTATION – NOT FOR RESALE. PRODUCED IN UNITED KINGDOM

This publication is issued to provide information only which (unless agreed by the Company in writing) may not be used, applied or reproduced for any purpose nor form part of any order or contract nor to be regarded as a representation relating to the products or services concerned. No warranty or guarantee express or implied is made regarding the capability, performance or suitability of any product or service. The Company reserves the right to alter without prior notice the specification, design or price of any product or service. Information concerning possible methods of use is provided as a guide only and does not constitute any guarantee that such methods of use will be satisfactory in a specific piece of equipment. It is the user's responsibility to fully determine the performance and suitability of any equipment using such information and to ensure that any publication or data used is up to date and has not been superseded. These products are not suitable for use in any medical products whose failure to perform may result in significant injury or death to the user. All products and materials are sold and services provided subject to the Company's conditions of sale, which are available on request.

All brand names and product names used in this publication are trademarks, registered trademarks or trade names of their respective owners.