

### FEATURES

- Optimised For High Current Rectifiers
- High Surge Capability
- Very Low On-state Voltage

### APPLICATIONS

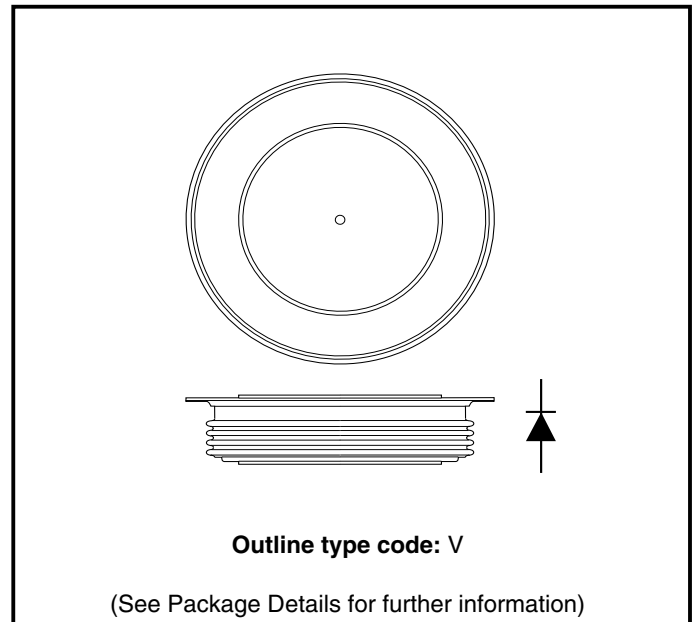
- Electroplating
- Power Supplies
- Welding

### VOLTAGE RATINGS

Part and Ordering Number	Repetitive Peak Reverse Voltage $V_{RRM}$ V	Conditions
RD65FV06	600	$V_{RSM} = V_{RRM}$
RD65FV05	500	
RD65FV04	400	
RD65FV03	300	
RD65FV02	200	
RD65FV01	100	

### KEY PARAMETERS

$V_{RRM}$		<b>600V</b>
$I_{F(AV)}$	<b>(max)</b>	<b>11745A</b>
$I_{FSM}$	<b>(max)</b>	<b>162000A</b>



**Fig. 1 Package outline**

### ORDERING INFORMATION

When ordering, select the required part number shown in the Voltage Ratings selection table.

For example:

**RD65FV04**

Note: Please use the complete part number when ordering and quote this number in any future correspondence relating to your order.

## CURRENT RATINGS

 $T_{\text{case}} = 75^{\circ}\text{C}$  unless otherwise stated

Symbol	Parameter	Conditions	Max.	Units
<b>Double Side Cooled</b>				
$I_{F(AV)}$	Mean forward current	Half wave resistive load	11745	A
$I_{F(RMS)}$	RMS value	-	18450	A
$I_F$	Continuous (direct) forward current	-	16974	A
<b>Single Side Cooled (Anode side)</b>				
$I_{F(AV)}$	Mean forward current	Half wave resistive load	7632	A
$I_{F(RMS)}$	RMS value	-	11988	A
$I_F$	Continuous (direct) forward current	-	10079	A

 $T_{\text{case}} = 85^{\circ}\text{C}$  unless otherwise stated

Symbol	Parameter	Test Conditions	Max.	Units
<b>Double Side Cooled</b>				
$I_{F(AV)}$	Mean forward current	Half wave resistive load	11120	A
$I_{F(RMS)}$	RMS value	-	17500	A
$I_F$	Continuous (direct) forward current	-	16000	A
<b>Single Side Cooled</b>				
$I_{F(AV)}$	Mean forward current	Half wave resistive load	7200	A
$I_{F(RMS)}$	RMS value	-	11300	A
$I_F$	Continuous (direct) forward current	-	9450	A

**SURGE RATINGS**

Symbol	Parameter	Test Conditions	Max.	Units
$I_{FSM}$	Surge (non-repetitive) forward current	10ms half sine, $T_{case} = 175^{\circ}C$ $V_R = 50\% V_{RRM} - 1/4$ sine	130	kA
$I^2t$	$I^2t$ for fusing		$84.5 \times 10^6$	A <sup>2</sup> s
$I_{FSM}$	Surge (non-repetitive) forward current	10ms half sine, $T_{case} = 175^{\circ}C$ $V_R = 0$	162	kA
$I^2t$	$I^2t$ for fusing		$132 \times 10^6$	A <sup>2</sup> s

**THERMAL AND MECHANICAL RATINGS**

Symbol	Parameter	Test Conditions		Min.	Max.	Units
$R_{th(j-c)}$	Thermal resistance - junction to case	Double side cooled	DC	-	0.0075	$^{\circ}CW$
		Single side cooled	Anode DC	-	0.015	$^{\circ}CW$
			Cathode DC	-	0.015	$^{\circ}CW$
$R_{th(c-h)}$	Thermal resistance - case to heatsink	Clamping force 43.0kN	Double side	-	0.002	$^{\circ}CW$
		(with mounting compound)	Single side	-	0.004	$^{\circ}CW$
$T_{vj}$	Virtual junction temperature	Forward (conducting)		-	225	$^{\circ}C$
		Reverse (blocking)		-	200	$^{\circ}C$
$T_{stg}$	Storage temperature range			-55	200	$^{\circ}C$
$F_m$	Clamping force			38.7	47.3	kN

**CHARACTERISTICS**

Symbol	Parameter	Test Conditions	Min.	Max.	Units
$I_{RM}$	Peak reverse current	At $V_{RRM}$ , $T_{case} = 200^{\circ}C$	-	150	mA
$I_{rr}$	Peak reverse recovery current	$I_F = 2000A$ , $dI_{RR}/dt = 3A/\mu s$ , $T_{case} = 200^{\circ}C$ , $V_R = 100V$	-	230	A
$Q_S$	Total stored charge		-	39	$\mu C$
$V_{TO}$	Threshold voltage	At $T_{vj} = 200^{\circ}C$	-	0.6	V
$r_T$	Slope resistance	At $T_{vj} = 200^{\circ}C$	-	0.0225	m $\Omega$

CURVES

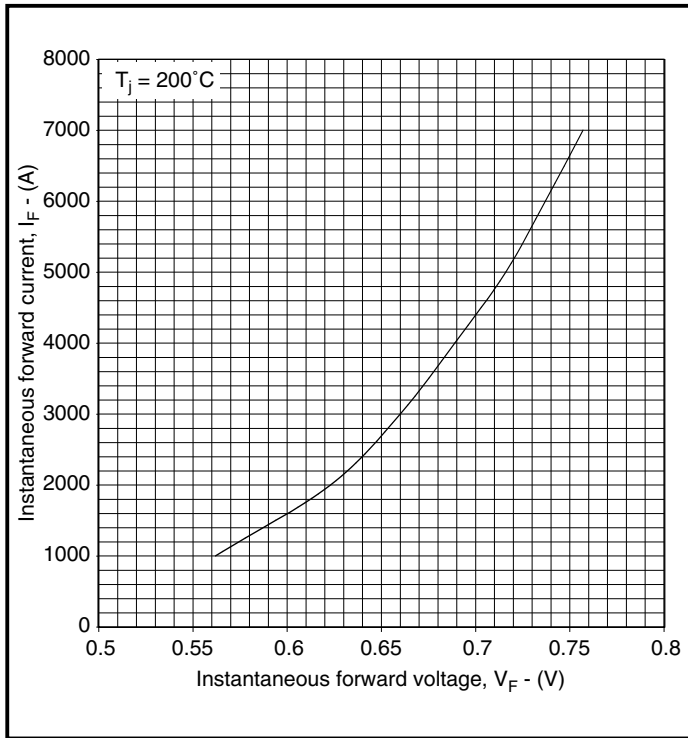


Fig. 2 Maximum (limit) forward characteristics

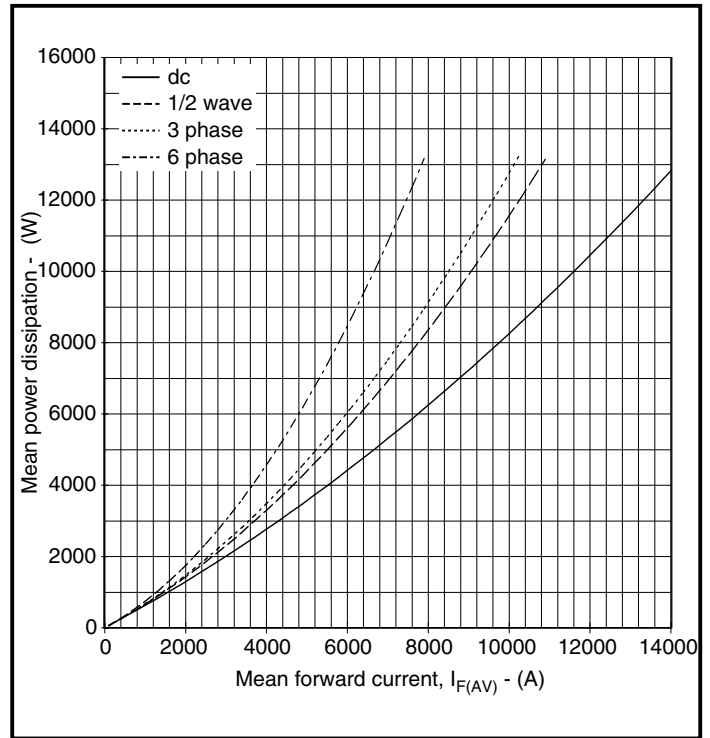


Fig. 3 Power dissipation

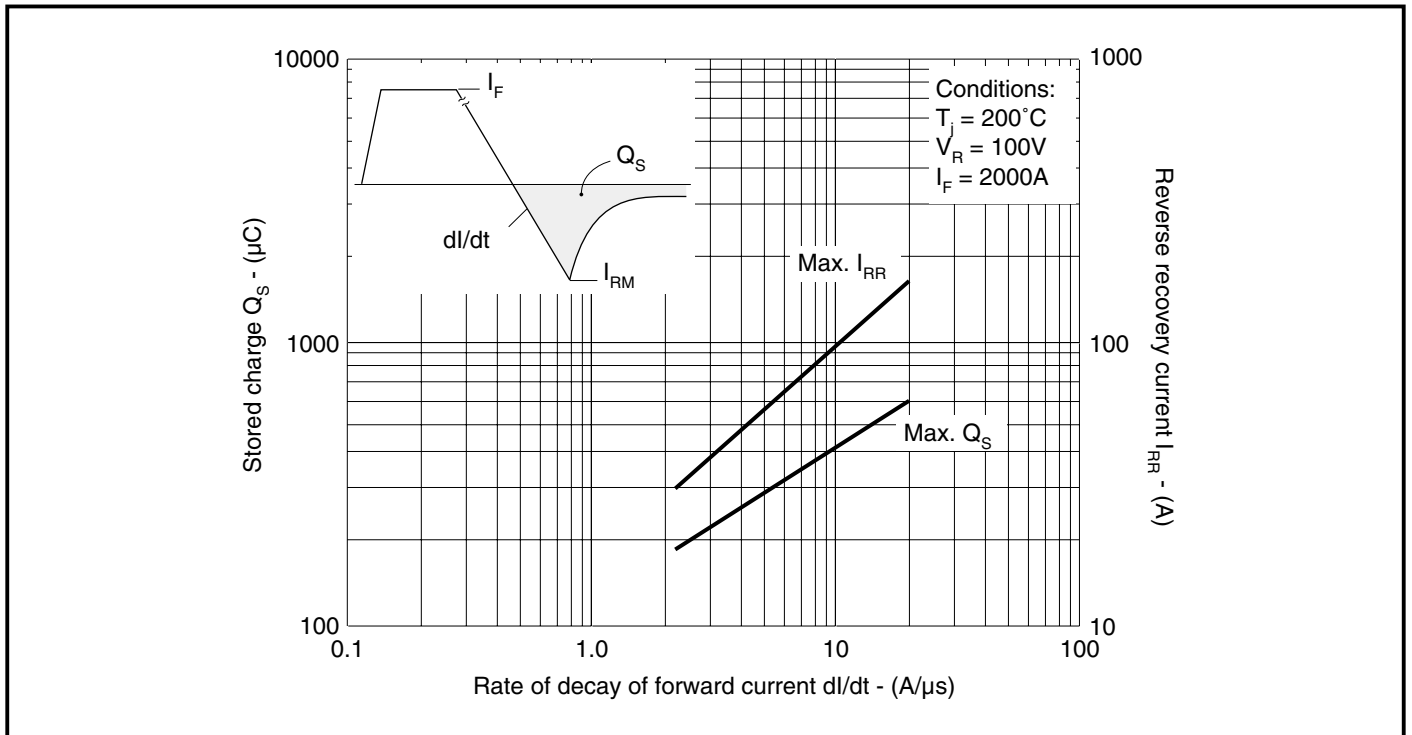
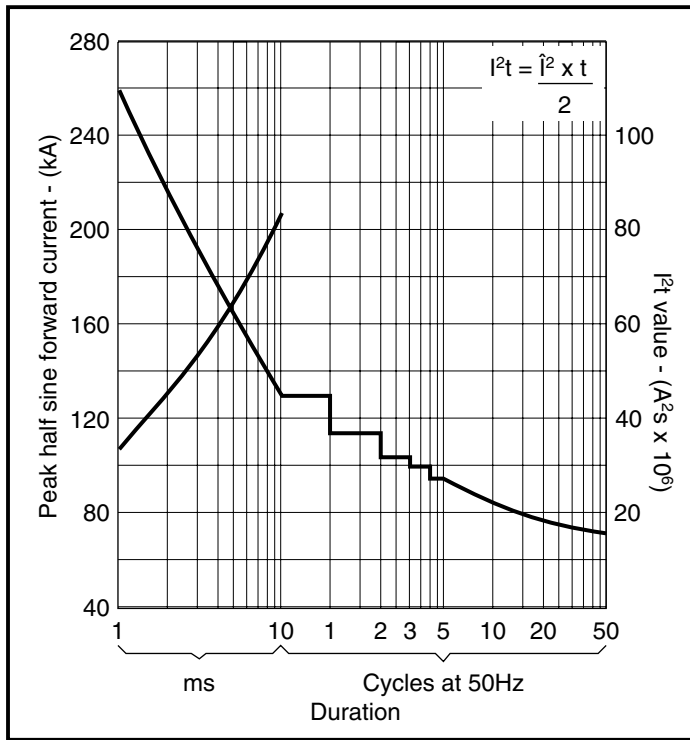
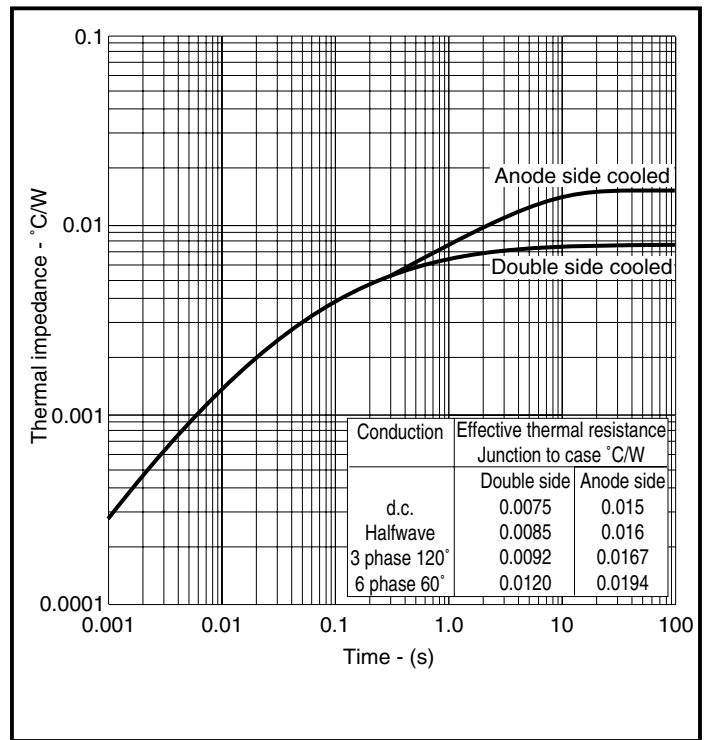


Fig. 4 Maximum stored charge and reverse recovery current vs  $di/dt$



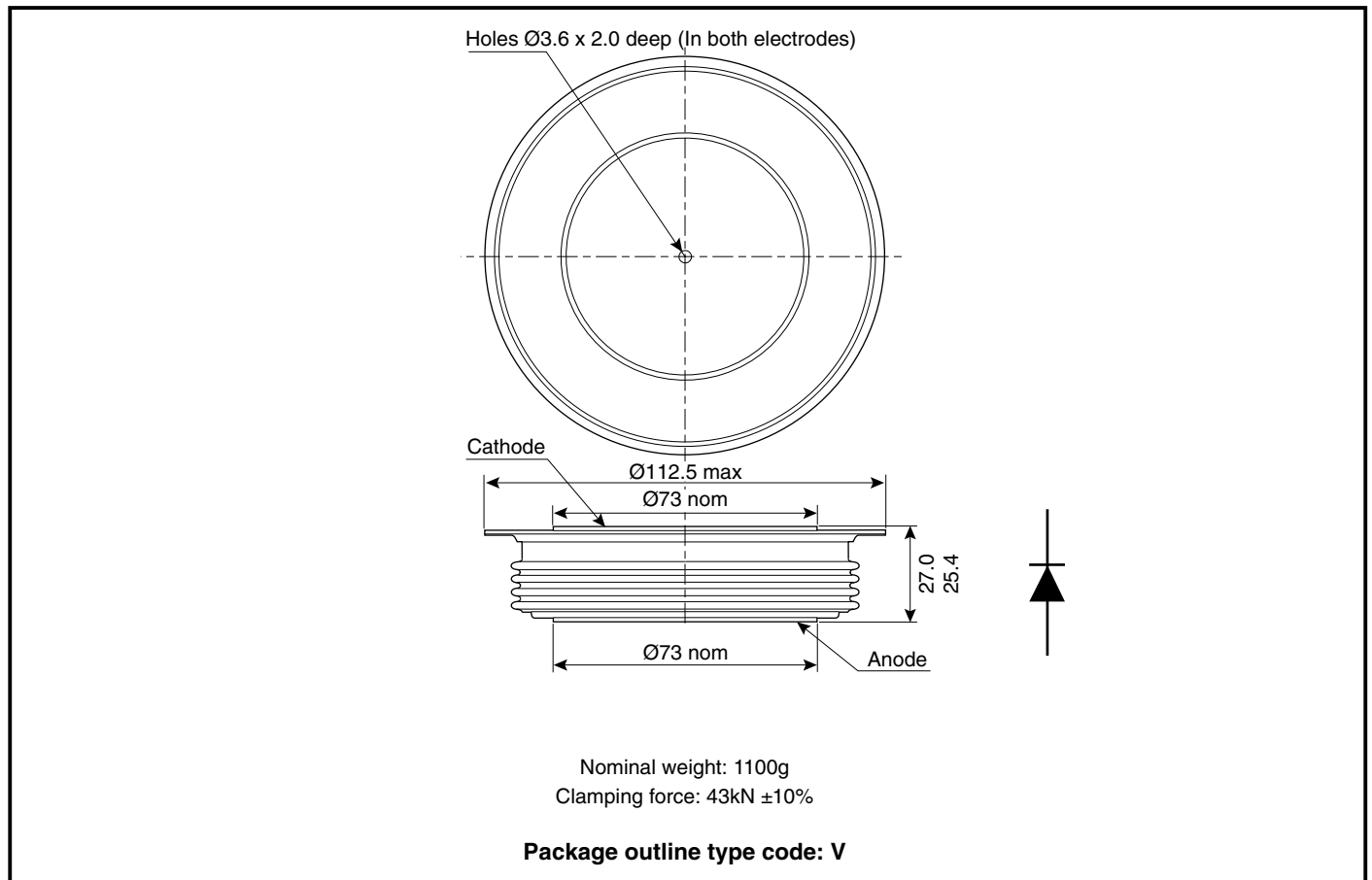
**Fig. 5 Surge (non-repetitive) forward current vs time (with 50%  $V_{RRM}$  @  $T_{case} = 175^{\circ}C$ )**



**Fig. 6 Maximum (limit) transient thermal impedance**

## PACKAGE DETAILS

For further package information, please contact Customer Services. All dimensions in mm, unless stated otherwise.  
DO NOT SCALE.



**Note:**

1. Package maybe supplied with pins and/or tags.

## POWER ASSEMBLY CAPABILITY

The Power Assembly group was set up to provide a support service for those customers requiring more than the basic semiconductor, and has developed a flexible range of heatsink and clamping systems in line with advances in device voltages and current capability of our semiconductors.

We offer an extensive range of air and liquid cooled assemblies covering the full range of circuit designs in general use today. The Assembly group offers high quality engineering support dedicated to designing new units to satisfy the growing needs of our customers.

Using the latest CAD methods our team of design and applications engineers aim to provide the Power Assembly Complete Solution (PACs).

## HEATSINKS

The Power Assembly group has its own proprietary range of extruded aluminium heatsinks which have been designed to optimise the performance of Dynex semiconductors. Data with respect to air natural, forced air and liquid cooling (with flow rates) is available on request.

For further information on device clamps, heatsinks and assemblies, please contact your nearest sales representative or Customer Services.

Stresses above those listed in this data sheet may cause permanent damage to the device. In extreme conditions, as with all semiconductors, this may include potentially hazardous rupture of the package. Appropriate safety precautions should always be followed.



<http://www.dynexsemi.com>

**e-mail: [power\\_solutions@dynexsemi.com](mailto:power_solutions@dynexsemi.com)**

### HEADQUARTERS OPERATIONS

#### **DYNEX SEMICONDUCTOR LTD**

Doddington Road, Lincoln.  
Lincolnshire. LN6 3LF. United Kingdom.  
Tel: +44-(0)1522-500500  
Fax: +44-(0)1522-500550

### CUSTOMER SERVICE

Tel: +44 (0)1522 502753 / 502901. Fax: +44 (0)1522 500020

### SALES OFFICES

**Benelux, Italy & Switzerland:** Tel: +33 (0)1 60 69 32 36. Fax: +33 (0)1 60 69 31 97.

**France:** Tel: +33 (0)2 47 55 75 53. Fax: +33 (0)2 47 55 75 59. Tel: +33 (0)1 60 69 32 36. Fax: +33 (0)1 60 69 31 97

**Germany, Northern Europe, Spain & Rest Of World:** Tel: +44 (0)1522 502753 / 502901.

Fax: +44 (0)1522 500020

**North America:** Tel: (440) 259-2060. Fax: (440) 259-2059. Tel: (949) 733-3005. Fax: (949) 733-2986.

These offices are supported by Representatives and Distributors in many countries world-wide.

© Dynex Semiconductor 2003 TECHNICAL DOCUMENTATION – NOT FOR RESALE. PRODUCED IN UNITED KINGDOM

This publication is issued to provide information only which (unless agreed by the Company in writing) may not be used, applied or reproduced for any purpose nor form part of any order or contract nor to be regarded as a representation relating to the products or services concerned. No warranty or guarantee express or implied is made regarding the capability, performance or suitability of any product or service. The Company reserves the right to alter without prior notice the specification, design or price of any product or service. Information concerning possible methods of use is provided as a guide only and does not constitute any guarantee that such methods of use will be satisfactory in a specific piece of equipment. It is the user's responsibility to fully determine the performance and suitability of any equipment using such information and to ensure that any publication or data used is up to date and has not been superseded. These products are not suitable for use in any medical products whose failure to perform may result in significant injury or death to the user. All products and materials are sold and services provided subject to the Company's conditions of sale, which are available on request.

All brand names and product names used in this publication are trademarks, registered trademarks or trade names of their respective owners.