

The DW9255 is a Surface Acoustic Wave (SAW) bandpass filter for use with Zarlink Semiconductor's GP2000 Global Positioning System (GPS) receiver chip-set. The GP2000 GPS chip set from Zarlink Semiconductor comprises the GP2010 and GP2015 RF front end ICs along with the GP2021 12-channel GPS correlator. It is pre-tuned to the exact 2nd IF filter requirements of the Zarlink GP2010 & GP2015 RF front-end devices, with a centre-frequency of 35.42MHz. The response is tuned for a flat passband, steep stopband and uniform passband group-delay with 3 external inductors. The device is realised on a Lithium Tantalate substrate and housed in a small leadless ceramic Surface Mount package.

The DW9255 gives significant improvement in correlated GPS Signal-to-Noise Ratio (SNR) performance compared to conventional LC bandpass filter schemes. This aids satellite signal acquisition and tracking capability from the Zarlink GP2000 GPS chip-set. This device effectively filters out-of-band (unwanted) noise in the GPS signal. The Automatic Gain Control (AGC) within the Zarlink GP2010 and GP2015 RF Front-end devices will then operate only on in-band noise for optimum gain and superior correlated GPS signal strength.

### FEATURES

- Operates With Zarlink GP2010 and GP2015 RF Front End ICs
- Centre Frequency of 35.42MHz
- Insertion Loss of 17dB  $\pm$ 1dB (typical)
- 1dB Bandwidth 1.9MHz (typical)
- Passband Ripple 0.8dB (typical)
- Low Profile Ceramic Surface Mount Package
- Operating Temperature Range -40° to +85°C

### APPLICATION

- Commercial Global Positioning

### ORDERING INFORMATION

Order as: **DW9255**

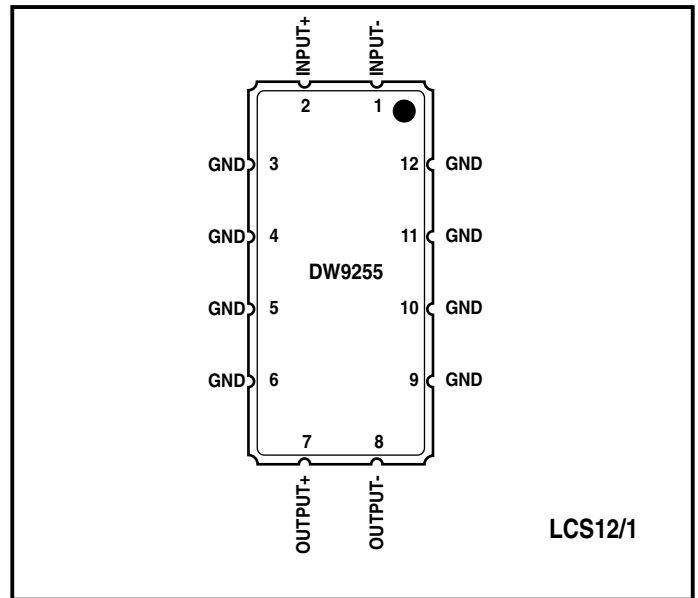


Fig.1 Pinout

### RELATED PRODUCTS AND PUBLICATIONS

Part	Description	Data Reference
GP2010	GPS receiver RF Front-end	DS4056
GP2015	Miniature GPS receiver RF Front-end	DS4374

These products are available from Zarlink Semiconductor, please visit [www.zarlink.com](http://www.zarlink.com) for more information.

**ELECTRICAL CHARACTERISTICS** (Typ. @ 25°C)

Parameter	Min	Typ	Max	Units	
Centre Frequency	-	35.42	-	MHz	
1dB Bandwidth	1.6	1.9	-	MHz	
Insertion Loss	16	17	18	dB	
Amplitude Ripple (34.62 to 36.22MHz)	-	0.8	1.6	dB (pk to pk)	
Relative Attenuation (relative to insertion loss)	<28MHz	35	40	-	dB
	<31MHz	30	35	-	dB
	<33.5MHz	21	25	-	dB
	>37.5MHz	21	25	-	dB
	>40MHz	25	30	-	dB
	>50MHz	30	40	-	dB
	>63MHz	28	35	-	dB
>73 - 110MHz	40	45	-	dB	
Group Delay Ripple (34.62 to 36.22MHz)	-	190	300	ns	
Maximum Group Delay (34.62 to 36.22MHz)	-	1.6	1.7	µs	
Operating Temperature Range	-40	-	+85	°C	

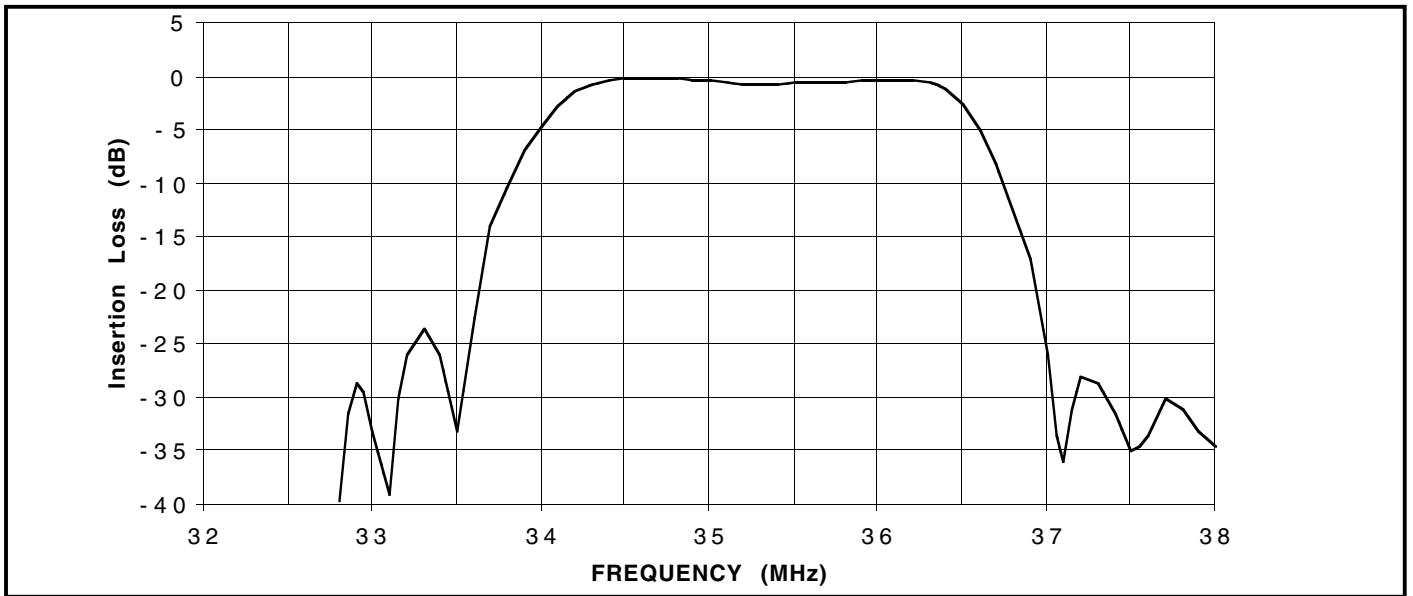
**DW9255 used as 2nd IF filter for Zarlink GP2010**

Centre Frequency	35.42MHz
Pass Band	±1.0MHz (within ±1.0dB)
Insertion loss	14-18dB
3rd IF Image frequency at 2nd IF	26.8MHz
Source Impedance	500Ω typical
Load Impedance	1000Ω typical

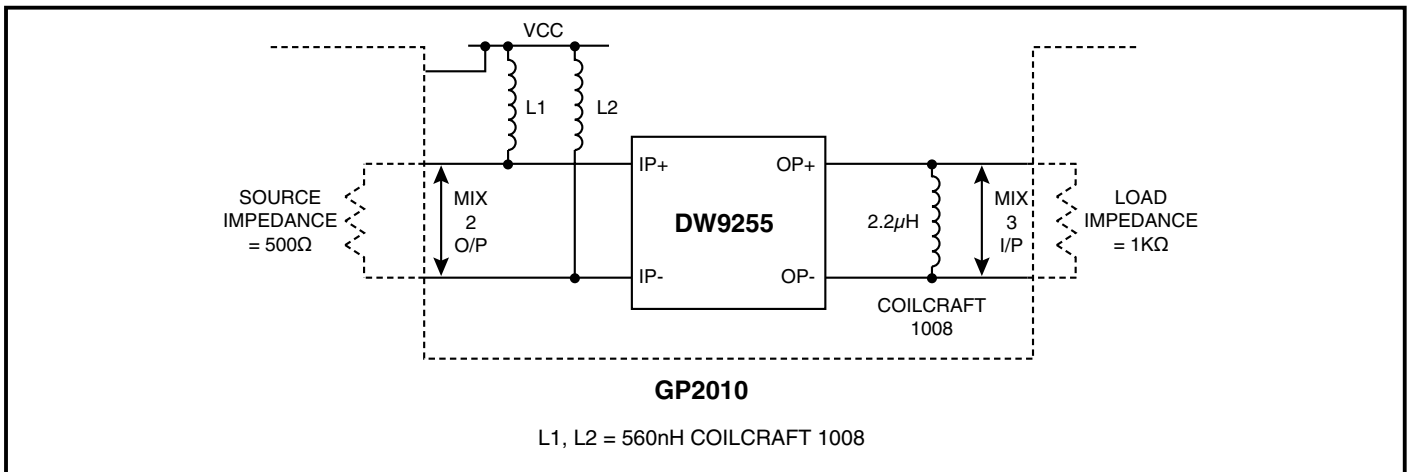
(C/A) code signal. It should also have high rejection (greater than 20dB) beyond this bandwidth, and so should have a brick-wall type response at these extremes. The DW9255 SAW filter provides a 1dB Bandwidth of typically 1.9MHz centred on 35.42MHz, with a typical pass band ripple of 0.8dB, when the SAW input and output capacitance is resonantly matched with inductors of optimum value. The out-of-band signal rejection is better than 21dB at ±2.0MHz, and better than 35dB at ±7.5MHz.

The second external IF filter is connected between the output of Stage 2 and input of Stage 3. It is required to define the bandwidth of the RF section of the GPS receiver, hence it is critical to the receiver performance. The filter should be flat across the 2MHz bandwidth of the GPS Coarse-Acquisition

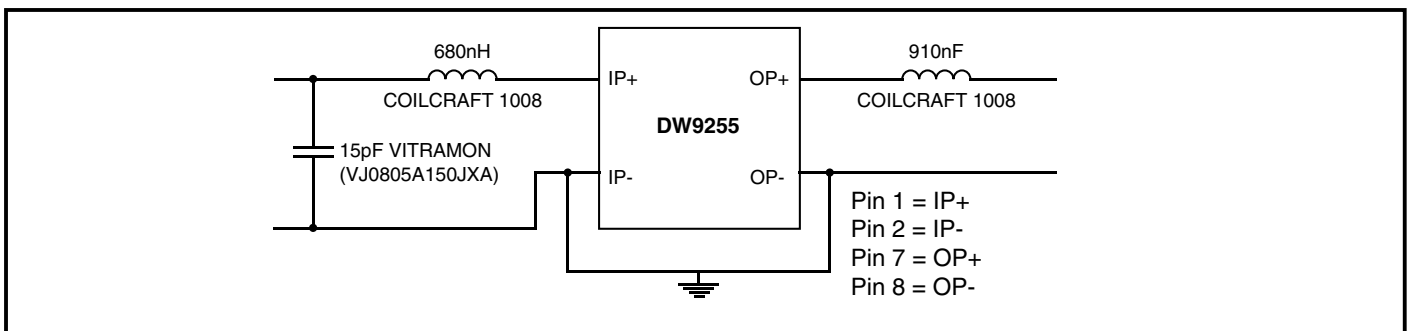
The frequency response of the DW9255 SAW filter with matching components is shown in Fig.2. The matching components used with the Zarlink GP2010 device are shown in Fig.3.



**Fig.2 Typical frequency response of DW9255 SAW filter used as 2nd IF filter**



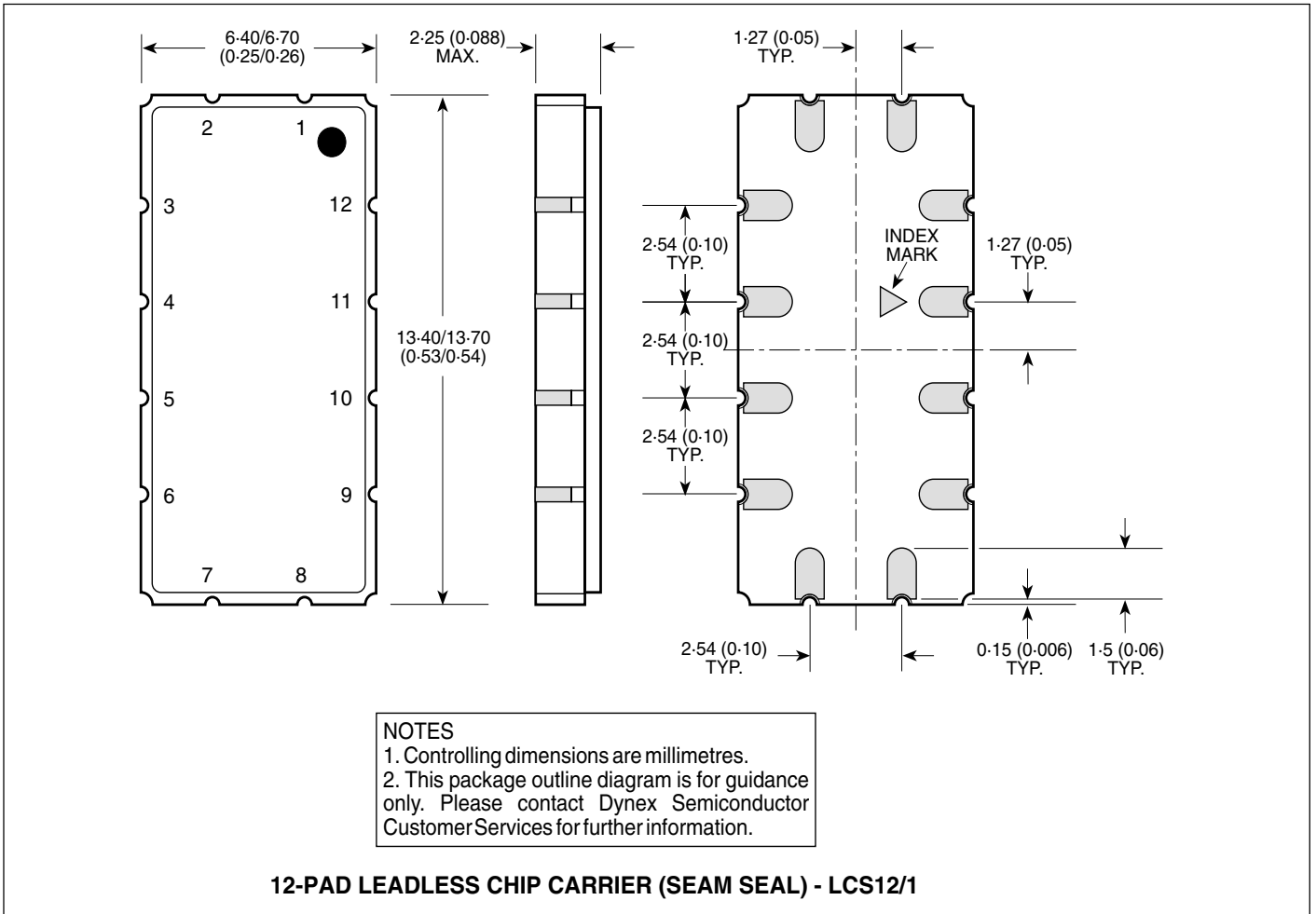
**Fig.3 Typical matching components when used with the Zarlink GP2010 GPS Front-end IC**



**Fig.4 50Ω Matching network**

**PACKAGE DETAILS**

Dimensions are shown thus: mm (in). DO NOT SCALE. For further package information, please contact Customer Services.





<http://www.dynexsemi.com>

**e-mail: [power\\_solutions@dynexsemi.com](mailto:power_solutions@dynexsemi.com)**

**HEADQUARTERS OPERATIONS**

**DYNEX SEMICONDUCTOR LTD**

Doddington Road, Lincoln.

Lincolnshire. LN6 3LF. United Kingdom.

Tel: +44-(0)1522-500500

Fax: +44-(0)1522-500550

**CUSTOMER SERVICE**

Tel: +44 (0)1522 502753 / 502901. Fax: +44 (0)1522 500020

**SALES OFFICES**

**Benelux, Italy & Switzerland:** Tel: +33 (0)1 64 66 42 17. Fax: +33 (0)1 64 66 42 19.

**France:** Tel: +33 (0)2 47 55 75 52. Fax: +33 (0)2 47 55 75 59.

**Germany, Northern Europe, Spain & Rest Of World:** Tel: +44 (0)1522 502753 / 502901.

Fax: +44 (0)1522 500020

**North America:** Tel: (949) 733-3005. Fax: (949) 733-2986.

These offices are supported by Representatives and Distributors in many countries world-wide.

© Dynex Semiconductor 2002 TECHNICAL DOCUMENTATION – NOT FOR RESALE. PRODUCED IN UNITED KINGDOM

**Datasheet Annotations:**

Dynex Semiconductor annotate datasheets in the top right hand corner of the front page, to indicate product status. The annotations are as follows:-

**Target Information:** This is the most tentative form of information and represents a very preliminary specification. No actual design work on the product has been started.

**Preliminary Information:** The product is in design and development. The datasheet represents the product as it is understood but details may change.

**Advance Information:** The product design is complete and final characterisation for volume production is well in hand.

**No Annotation:** The product parameters are fixed and the product is available to datasheet specification.

This publication is issued to provide information only which (unless agreed by the Company in writing) may not be used, applied or reproduced for any purpose nor form part of any order or contract nor to be regarded as a representation relating to the products or services concerned. No warranty or guarantee express or implied is made regarding the capability, performance or suitability of any product or service. The Company reserves the right to alter without prior notice the specification, design or price of any product or service. Information concerning possible methods of use is provided as a guide only and does not constitute any guarantee that such methods of use will be satisfactory in a specific piece of equipment. It is the user's responsibility to fully determine the performance and suitability of any equipment using such information and to ensure that any publication or data used is up to date and has not been superseded. These products are not suitable for use in any medical products whose failure to perform may result in significant injury or death to the user. All products and materials are sold and services provided subject to the Company's conditions of sale, which are available on request.

All brand names and product names used in this publication are trademarks, registered trademarks or trade names of their respective owners.